

Installation Guide

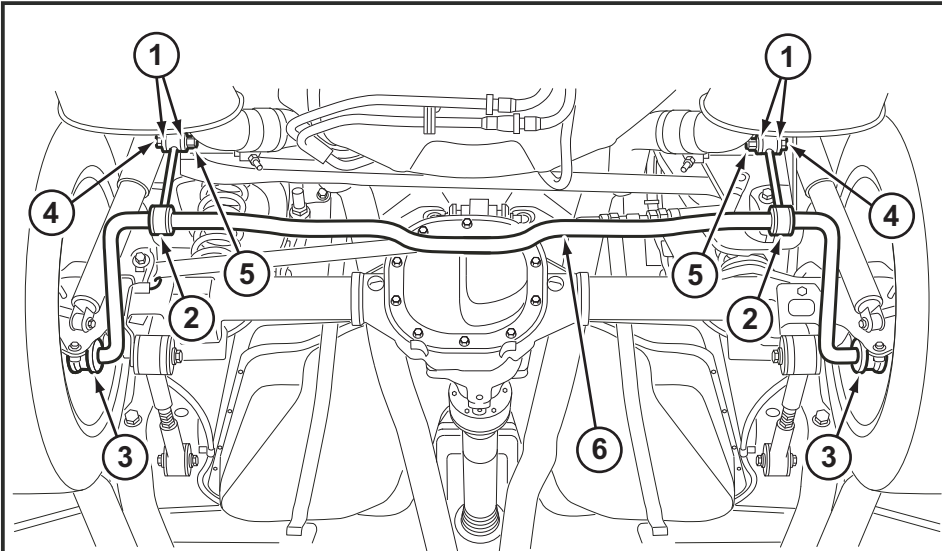
Rear Heavy Duty Sway Bar

Z 5013

Suits: Ford Mustang 05 - 08

(Always refer to the current catalogue for complete application listings)

N.B: This installation guide should be used in conjunction with the workshop manual.
All fastener torque settings should be adhered to.



1. Upper link bushes # **67014**

Note 1. Remove captive OE nuts from upper link bracket

2. Lower link bushes 24mm bar # **67015** Shelby 26mm bar use #**67048**

3. Swaybar out 'D' bushes 24mm bar # **67009** Shelby 26mm bar use #**67046**

4. Supplied bolts

5. Supplied nuts

Note 2. Place supplied washers under head of bolt and nut

6. Replacement heavy duty swaybar 24mm and 26mm.

N.B: It is recommended that a licenced workshop or trades person carry out the above procedure and that workshop manual and relevant safety procedures are followed in addition to the above.

Installation Guide

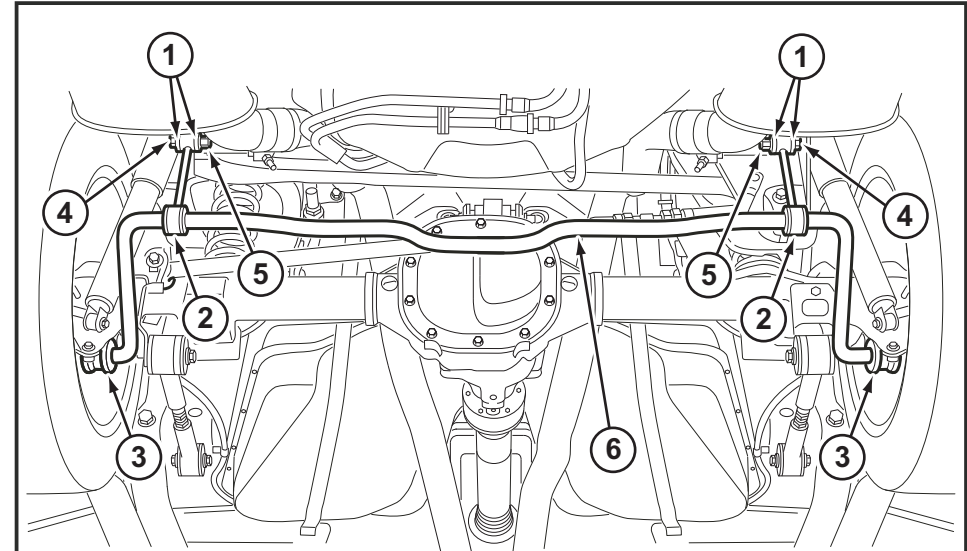
Rear Heavy Duty Sway Bar

Z 5013

Suits: Ford Mustang 05 - 08

(Always refer to the current catalogue for complete application listings)

N.B: This installation guide should be used in conjunction with the workshop manual.
All fastener torque settings should be adhered to.



1. Upper link bushes # **67014**.

Note 1. Remove captive OE nuts from upper link bracket.

2. Lower link bushes 24mm bar # **67015** Shelby 26mm bar use #**67048**

3. Swaybar out 'D' bushes 24mm bar # **67009** Shelby 26mm bar use #**67046**

4. Supplied bolts

5. Supplied nuts

Note 2. Place supplied washers under head of bolt and nut.

6. Replacement heavy duty swaybar 24mm and 26mm.

N.B: It is recommended that a licenced workshop or trades person carry out the above procedure and that workshop manual and relevant safety procedures are followed in addition to the above.