

Installation Guide

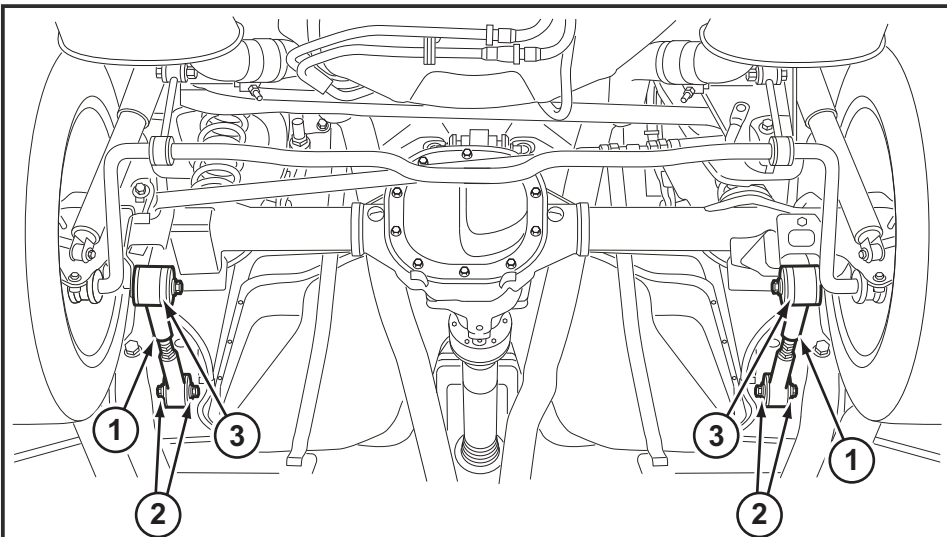
Rear Lower Adjustable Trailing Arms

Z 5014

Suits: Ford Mustang 05 - 08

(Always refer to the current catalogue for complete application listings)

N.B: This installation guide should be used in conjunction with the workshop manual.
All fastener torque settings should be adhered to.



1. Rear lower adjustable arm assembly
 2. Supplied washers to be placed on front bush, between flange faces and insides of chassis bracket
 3. Rear bush larger flange towards centre of vehicle
 4. We recommend a wheel alignment be carried out after fitment
- Note: OE arm length 470mm (18.5 inches) + or - 10mm (0.4 inches)

N.B: It is recommended that a licenced workshop or trades person carry out the above procedure and that workshop manual and relevant safety procedures are followed in addition to the above.

Installation Guide

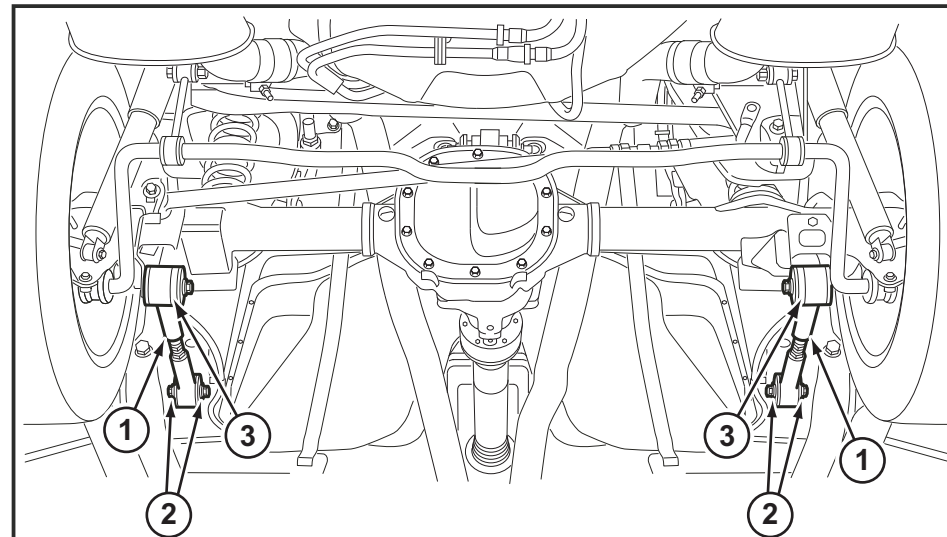
Rear Lower Adjustable Trailing Arms

Z 5014

Suits: Ford Mustang 05 - 08

(Always refer to the current catalogue for complete application listings)

N.B: This installation guide should be used in conjunction with the workshop manual.
All fastener torque settings should be adhered to.



1. Rear lower adjustable arm assembly
 2. Supplied washers to be placed on front bush, between flange faces and insides of chassis bracket
 3. Rear bush larger flange towards centre of vehicle
 4. We recommend a wheel alignment be carried out after fitment
- Note: OE arm length 470mm (18.5 inches) + or - 10mm (0.4 inches)

N.B: It is recommended that a licenced workshop or trades person carry out the above procedure and that workshop manual and relevant safety procedures are followed in addition to the above.